

## PL30 Aluminium profile for flexible strips

Aluminium profile, with cover, with mounting clips. Complete set, 1.000 mm. For strips max. 36 mm width

### Technical data

LED Module producer  
Technology  
Heatsink  
CRI  
Surge current limit  
Type

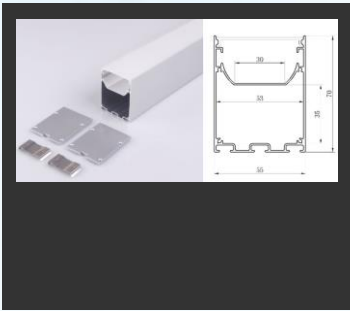
Dimmable  
Appliance class  
IP class  
Voltage  
Power factor (PF)  
System efficiency

A (mm)	B (mm)	C (mm)	Kg
55	70	1000	2

Beam angle  
Colour temperature  
Product colour

Aluminium anodized (Al)

## DATASHEET



## Life time and warranty

Warranty:	2 years
Availability of spare parts:	>10 years after last delivery
Availability for re-order :	>2 years after last delivery
Life time:	

## CE Conformity

The above mentioned lights are in accordance with EU-Directives 2006/95/EC (low voltage directive), 2004/108/EC (EMC-Directive), 2009/125/EC (Ecodesign requirements) and 2011/65/EU (RoHS-directive). The standards EN55015, EN 60598, EN 61000, EN 61347 and EN 61547 have been applied.

A declaration of CE Conformity will be supplied together with the product.

## Brand Inside®

With our **Brand Inside®** guarantee we guarantee as one of the few suppliers, that only brand products are inside. „What is on the packaging will be also inside!“. You will not find cloned products, "No-Name" products, B-quality, etc. from us.

## Disposal

This product is in conformity with directive 2002/96/EU. Do not dispose this product with other household waste. Instead, it should be disposed at a designated collection point for the recycling of waste electrical and electronic equipment.

## Limitation of liability

Subject to modifications. Please ensure you are using the latest version of this datasheet.

# DATASHEET