

## KG22-L Linear light (Luminaire) - Samsung SMD 2835

High quality linear light, aluminium extrusion profile. Samsung technology, modular and extremely stable design.

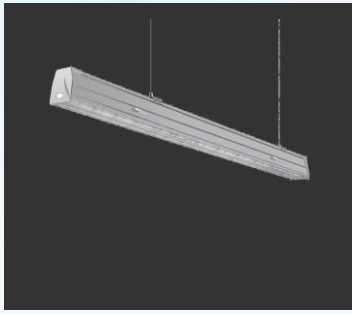
### Technical data

<b>LED Module producer</b>	Samsung	<b>Dimmable</b>	optional dimmable
<b>Technology</b>	SMD 2835	<b>Appliance class</b>	I
<b>Heatsink</b>	Passive cooling	<b>IP class</b>	IP20
<b>CRI</b>	>80	<b>Voltage</b>	230 V
<b>Surge current limit</b>	yes	<b>Power factor (PF)</b>	>0,95
<b>Type</b>	delayed switch on	<b>System efficiency</b>	130 - 160 Lm/W (A++)

Version	Watt	A (mm)	B (mm)	C (mm)	Kg
130	40	1416	70	53	2,6
130	65	1416	70	53	2,6
130	80	1416	70	53	2,6
160	40	1416	70	53	2,6
160	65	1416	70	53	2,6
160	80	1416	70	53	2,6

<b>Beam angle</b>	0L/60R° - 120° - 15R/15L° - 25° - 60° - 60L/0R° - 90°
<b>Colour temperature</b>	830 - 840 - 850 - 860
<b>Product colour</b>	White lacquered (Wh)

## DATASHEET



## Life time and warranty

Warranty:	2 years
Availability of spare parts:	>10 years after last delivery
Availability for re-order :	>2 years after last delivery
Life time:	>35.000 hours (70 % light transmission)

## CE Conformity

The above mentioned lights are in accordance with EU-Directives 2006/95/EC (low voltage directive), 2004/108/EC (EMC-Directive), 2009/125/EC (Ecodesign requirements) and 2011/65/EU (RoHS-directive). The standards EN55015, EN 60598, EN 61000, EN 61347 and EN 61547 have been applied.

A declaration of CE Conformity will be supplied together with the product.

## Brand Inside®

With our **Brand Inside®** guarantee we guarantee as one of the few suppliers, that only brand products are inside. „What is on the packaging will be also inside!“. You will not find cloned products, "No-Name" products, B-quality, etc. from us.

## Disposal

This product is in conformity with directive 2002/96/EU. Do not dispose this product with other household waste. Instead, it should be disposed at a designated collection point for the recycling of waste electrical and electronic equipment.

## Limitation of liability

Subject to modifications. Please ensure you are using the latest version of this datasheet.

# DATASHEET